

## BMS-4LF

### 4 Series LiFePO4 Battery BMS

#### I. Product Overview

BMS-4LF is suitable for 4 series LiFePO4 battery system, It has protective functions such as over discharging, over current discharging, short circuit, over current charging, high temperature and wire breaking.



Prevent the battery from being full or unprotected, which leads to battery overcharge and battery bulging and explosion.

##### Overcharge protection



To prevent excessive instantaneous current of batteries, resulting in serious damage to batteries.

##### Over current protection



Temperature detection of batteries is carried out to prevent excessive temperature of batteries during charging and discharging.

##### Over temperature protection



Prevent the battery from discharging unprotected, thus affecting the battery endurance and battery life.

##### Over discharge protection



Automatic protection in case of abnormal short circuit to prevent damage to protective plate and battery.

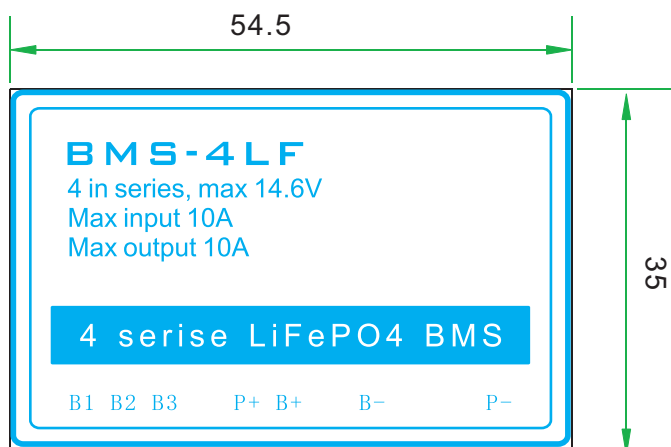
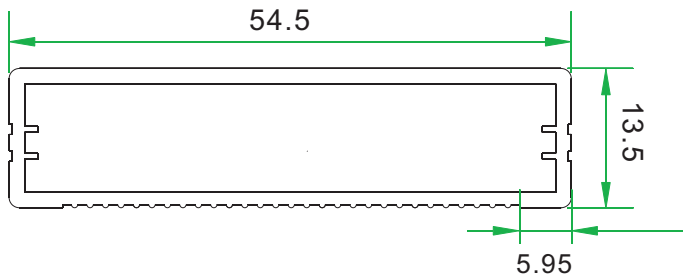
##### Short circuits protection



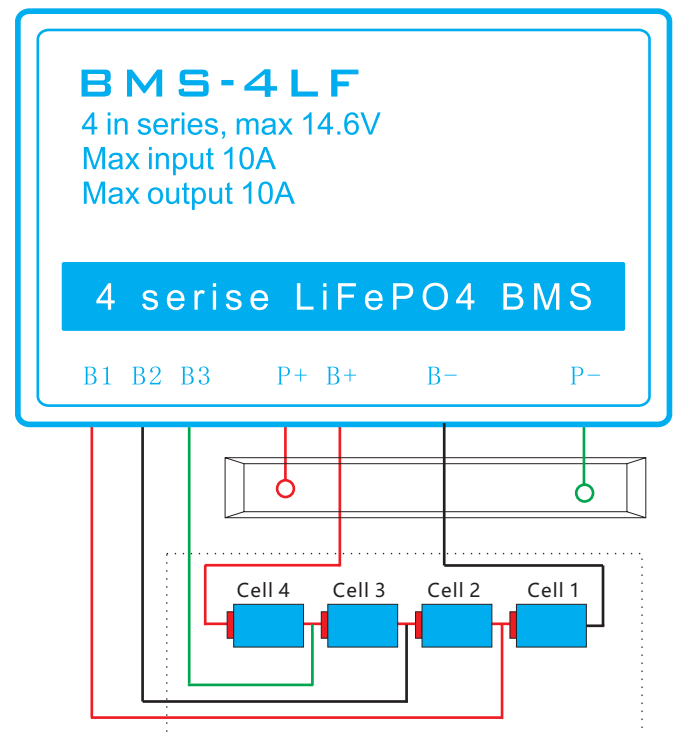
Waterproof grade IP67, more secure and reliable.

##### Deep Waterproof

#### 2. Dimensions (mm)



#### 3. Wiring diagram



# BMS-4LF

## 4 Series LiFePO4 Battery BMS

### Warning:

1. Confirm the consistency of each batteries before installing the protective panel. It is not allowed to use multiple batteries, otherwise the protective BMS will not work properly.
2. It is suggested that the first series of cells should be connected first, then the second and third series, and finally the fourth series of cells should be connected in turn, which can effectively avoid the phenomenon of wrong connection or reverse connection.
3. B+, B-, P+, P- in the charge and discharge process will have a large current, the wire connected to B+, B-, P+, P- is best thick enough( not less than 16AWG).

### 4.Product parameters

Parmeters	Detailed description	BMS-4LF 2.0
Overcharge protection	Overcharge Detection Voltage	14.6±0.1V
	Overcharge protection delay	1s
	Overcharge Release Voltage	14.2±0.1V
Over discharge protection	Overdischarge detection voltage	9.2±0.12V
	Overdischarge detection delay	1s
	Overdischarge recovery voltage	10.8±0.12V
0V Charging	0V charging voltage	1.5V
Over current protection	Rated current	10A
	Overcurrent protection 1	33A(Overcurrent delay 1s)
	Overcurrent protection 2	66A(Overcurrent delay 100ms)
	Overcurrent Release Conditions	Disconnect load
Short circuits protection	Short Circuit Protection Conditions	Load current over 133A
	Short Circuit Detection Delay	240us
	Short Circuit Release Conditions	Disconnect load
Over temperature protection	Charging Overtemperature Protection	70°C
	Discharge Overtemperature Protection	70°C
Self Consumption	Normal working current	20uA
	Sleep mode current	5uA
Temperature	working temperature	-30~80°C
	Storage temperature	-40~120°C
System parameter	Dimensions	54.5*35*13.5mm
	Weight	63g
	Wire size	16AWG
	Protection degree	IP67
	Max Altitude	4000m