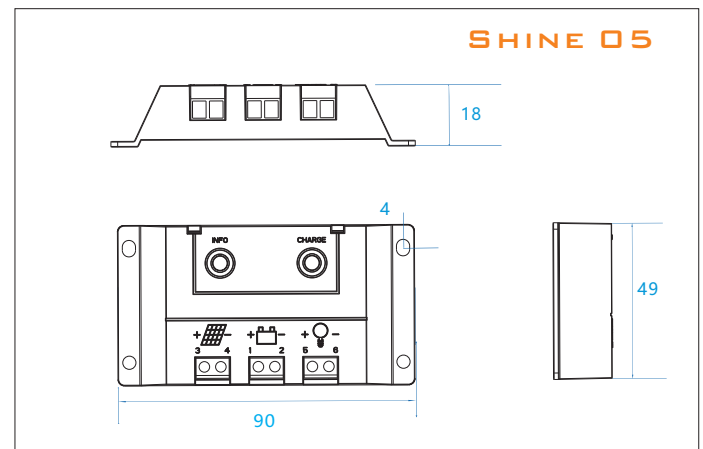
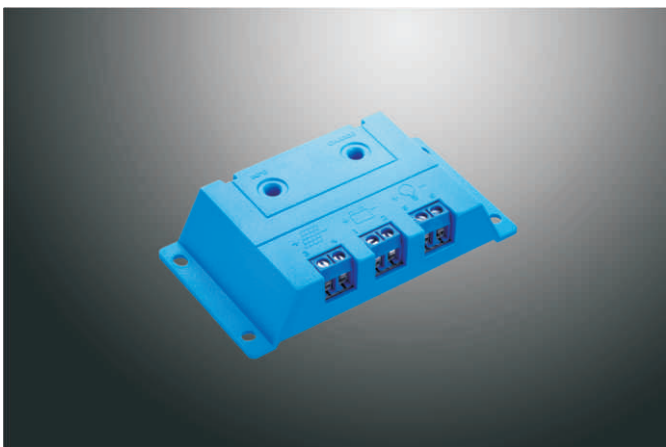
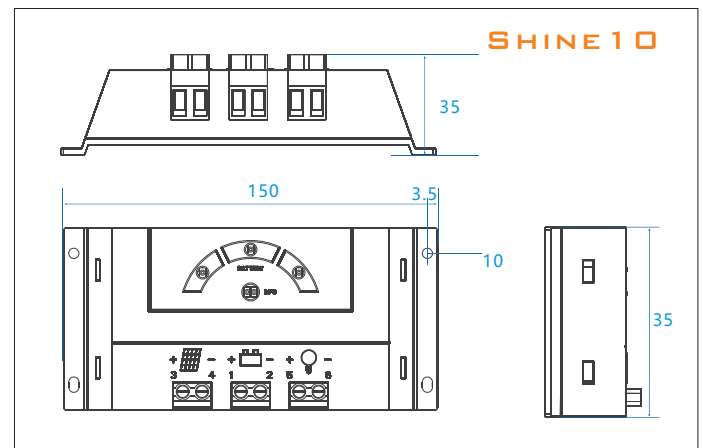
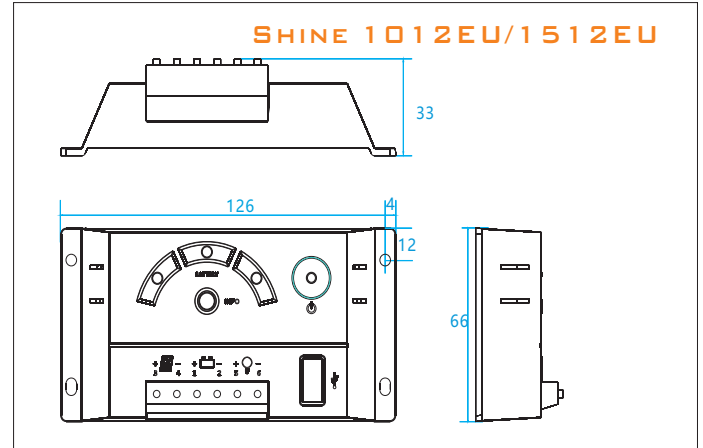


## Shine series

Solar charge controller

5/10/15A



# Shine series

## Solar charge controller

5/10/15A

## Datasheet

| Item                              | Shine1012EU  | Shine1512EU | Shine05            | Shine10          |
|-----------------------------------|--|-------------|--------------------|------------------|
| System Voltage                    | 12V  |             |                    | 12/24V           |
| Max Solar Current or Load Current | 10A  | 15A         | 5A                 | 10A              |
| Fast Voltage                      | <14.5V @25°C   |             |                    | <14.5/29V @25°C  |
| Boost Voltage                     | 14.5V @25°C  |             |                    | 14.5/29V @25°C   |
| Equal Voltage                     | 14.8V @25°C (Liquid)   |             |                    | 14.8/29.6V @25°C |
| Float Voltage                     | 13.7V @25°C  |             |                    | 13.7/27.4V @25°C |
| Day/Night Threshold               | 5V   |             |                    | 5/10V            |
| Battery Type                      | Liquid, Gel  |             | Liquid             | Liquid, Gel      |
| Temperature Compensation          | 4.17mV/K per cell (Boost, Equal), -3.33mV/K per cell (Float) |             |                    |                  |
| Load Disconnect Voltage           | 11V  |             |                    | 11/22V           |
| Load Reconnect Voltage            | 12.5V  |             |                    | 12.5V/25V        |
| Max Solar Voltage                 | 25V  |             |                    | 55V              |
| Max Battery Voltage               | 20V  |             |                    | 40V              |
| Over Voltage Protection           | 15.5V  |             |                    | 15.5/31V         |
| Dimensions                        | 126*66*33mm  |             | 90*49*18mm         | 150*72*35mm      |
| Weight                            | 110g   |             | 36g                | 130g             |
| Wire Size                         | 2.5mm <sup>2</sup>   |             | 1.5mm <sup>2</sup> | 4mm <sup>2</sup> |
| Self Consumption                  | 5mA  |             |                    | 4mA              |
| Ambient Temperature               | -35~+60°C  |             |                    |                  |
| Degree Of Protection              | IP22   |             |                    |                  |
| USB Interface                     | 5V, 1A   |             | --                 |                  |

- Low cost and high reliability design, suitable for 12V system voltage
- Turn on or turn off load by switch
- Work mode optional: system, D2D
- Clear readable display of charge/discharge and error description
- Temperature compensation
- Gel, Liquid battery for selection
- Four stage charge way: fast, boost, equalization, float
- Full automatic electronic protect function
- USB interface (Shine1012/1512EU)
- For charging lithium battery, can be programmable in the factory before shipping