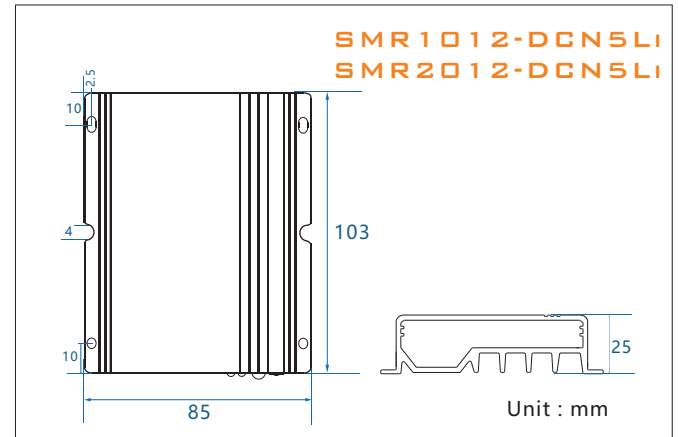
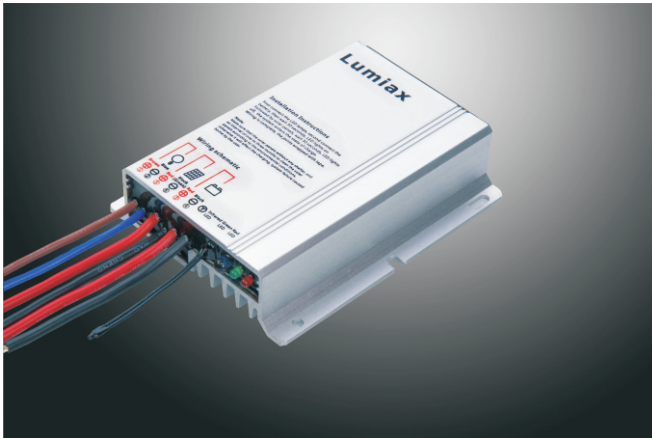
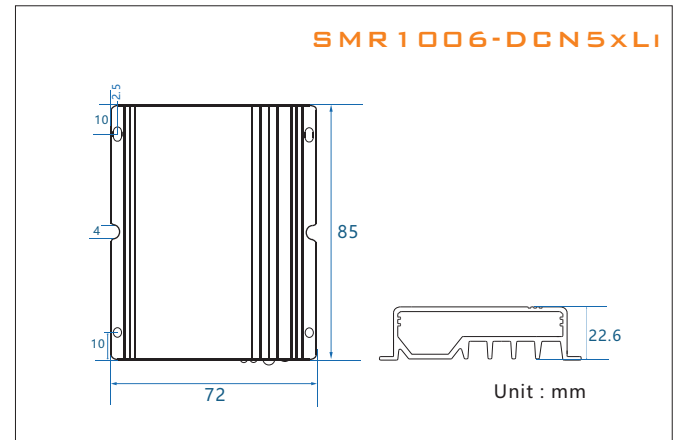


Smart-DCN5Li series

Solar charge controller with LED driver built-in

40W/60W/120W



For Li Batt , Boost, Constant current, 5 stages Dimming, IP67, Infrared

- Can output constant current (output current can be set). Accuracy: 50mA, Min current: 30mA
- 5 stages time and dimming can be adjusted, dimming 0~100%
- Can read parameters and running status by remote unit: Sunit
- If low power of the battery, it can be set to dimming automatically
- Dimming start voltage and dimming ratio can be set
- Lithium battery pack transport mode, load off during transit
- If the lithium battery BMS cuts off the power, it can automatically activate BMS next day
- Charging target and charging recovery voltage can be set
- Day/Night threshold voltage can be adjusted automatically
- Remote Unit to configure, with LCD display
- IP67, Strong and durable aluminum case
- Full automatic electronic protect function

Smart-DC N5Li series

Solar charge controller with LED driver built-in

40W/60W/120W

Datasheet

	SMR1006-DC N5XLi	SMR1012-DCN5Li	SMR2012-DCN5Li
Max charging current	10A		20A
Output power	1~60W	3~(15W*#(4~8))*	
Output voltage	(Vb+2V)~55V		
Output current	0.15~2.0A(Programmable)	0.15~4.0A(Programmable)	
Min current	30mA(Dimming)	100mA(Dimming)	
Current precision	±2%		
Max LED driver efficiency	95%		
Dimming	0~100%(Programmable)		
Voltage of start dimming	9.0~Charging voltage target (Programmable)	10.0~Charging voltage target	
Dimming percentage	1~20% (Programmable)		
Charging voltage target	10.0~32.0V(Programmable)		
Charging voltage recovery	8.5~31.8V(Programmable)		
Low voltage disconnect	8.0~30.0V(Programmable)		
Low voltage reconnect	8.6~31.0V(Programmable)		
Lighting hours	5 stages (Programmable)		
Day/Night threshold	3.0~20.0V (Programmable)		
Day/Night delay time	0~30 min(Programmable)		
Battery type	Lithium		
Max solar voltage	55V		
Max battery voltage	40V		
Dimensions/Weight	85*72*22.6mm/255g	103*85*25mm/320g	
Self consumption	10mA		
Ambient temperature	-35~+60°C		
Protection degree	IP67		
Max altitude	4000m		