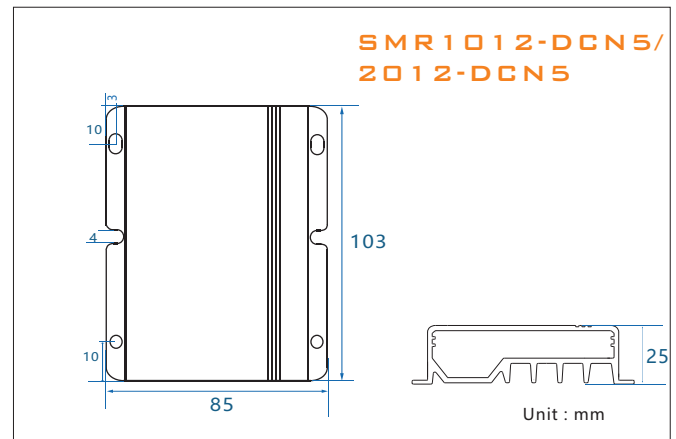
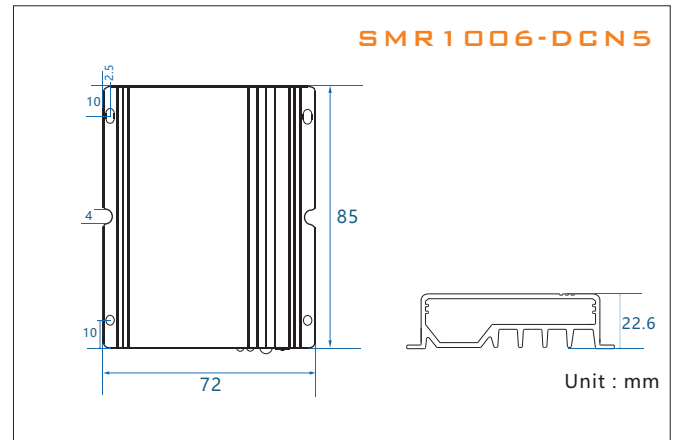


Smart-DCN5 series

Solar charge controller with LED driver built-in

40W/60W/120W



Boost , Constant current , Night-Light, 5 stages Dimming, Ip67 , Infrared

- Can output constant current (output current can be set). Accuracy: 50mA, Min current: 30mA
- 5 stages time and dimming can be adjusted, dimming 0~100%
- Can read parameters and running status by remote unit: Sunit
- If battery voltage is low, it can be set to dimming automatically
- Dimming start voltage and dimming percentage can be set
- 12V/24V system voltage automatic recognition
- Liquid and GEL battery for selection
- External temperature sensor
- Four stages PWM charging: fast, boost, equalization, float
- Day/Night threshold voltage can be adjusted automatically
- Remote Unit to configure, with LCD display
- IP67, Strong and durable aluminum case
- Full automatic electronic protect function

Smart-DCN5 series

Solar charge controller with LED driver built-in

40W/60W/120W

Datasheet

	SMR1006-DCN5X	SMR1012-DCN5	SMR2012-DCN5
Max charging current	10A		20A
System voltage	12V/24V Auto		
Output power	3~40W/3~60W	3~60W/3~120W	
Output voltage	15~55V/30~55V		
Output current	0.15~2.0A(Programmable)	0.15~4.0A(Programmable)	
Current precision	±2%		
Max LED driver efficiency	95%		
Dimming	0~100%(Programmable)		
Voltage of start dimming	11.8~12.5V/23.6~25.0V(Programmable)		
Dimming percentage	1~20%(Programmable)		
Fast voltage	<14.5/29.0V (25°C)		
Boost voltage	14.5/29.0V (25°C)		
Equal voltage	14.8/29.6V (25°C) (Liquid)		
Float voltage	13.7/27.4V (25°C)		
Low voltage disconnect	10.8~11.8V/21.6~23.6V,SOC1~5		
Low voltage reconnect	11.4~12.8V/22.8~25.6V(Programmable)		
Over chage protect	15.5/31.0V		
Lighting hours	5 stages(Programmable)		
Day/Night threshold	3.0~8.0V/6.0~16.0V(Programmable)		
Day/Night delay time	0~30 min(Programmable)		
Battery type	Liquid , GEL(Programmable)		
Temp compensation	-4.17mV/K per cell (Boost, Equal) , -3.33mV/K per cell (Float)		
Max solar voltage	55V		
Max battery voltage	40V		
Dimensions/Weight	85*72*22.6mm/255g	103*84*25mm/320g	
Self consumption	10mA		
Ambient temperature	-35~+60°C		
Protection degree	IP67		
Max altitude	4000m		